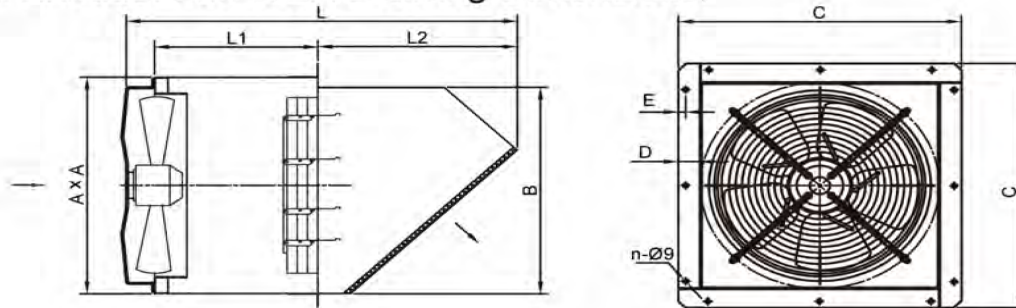


Fan Dimensions

Direct-Drive

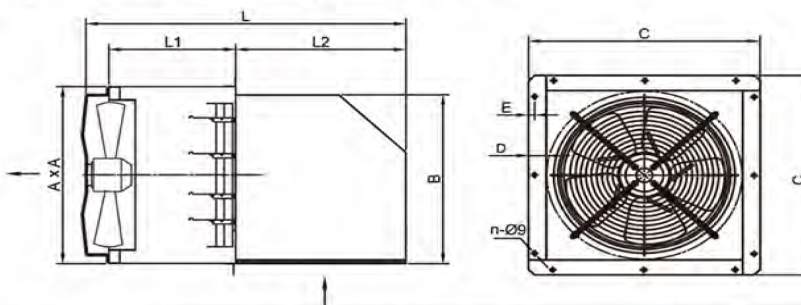
(Sidewall Exhaust Fan WEX Drawing Dimensions)



Model	A(mm)	L1(mm)	L2(mm)	L(mm)	B(mm)	C(mm)	D(mm)	E(mm)	n	Fan Weight
WEX-250D4/E4-0.05	320	200	295	540	290	400	40	13	8	16
WEX-300D4/E4-0.09	370	200	330	590	340	450	40	13	12	18
WEX-350D4/E4-0.15	420	220	365	665	390	500	40	13	12	24
WEX-400D4/E4-0.19	470	220	400	710	440	550	40	13	12	27
WEX-450D4/E4-0.24	520	220	435	745	490	600	40	13	12	31
WEX-500D4/E4-0.46	570	220	470	780	540	650	40	13	12	37
WEX-550D4/E4-0.55	620	220	500	820	590	700	40	13	12	40
WEX-600D4-0.83	765	220	600	950	735	865	50	15	20	65
WEX-650D4-2.2	810	595	620	1295	780	910	50	15	20	130
WEX-700D6-0.75	855	510	645	1230	825	955	50	15	20	122
WEX-750D6-1.1	920	550	675	1305	890	1020	50	15	24	135
WEX-800D6-2.2	975	645	715	1455	945	1075	50	15	24	170
WEX-900D6-3	1075	630	760	1490	1045	1175	50	15	24	210

The above fan weight is the whole fan weight including motor and gravity back-draft damper. The weight will be less a little if without the damper.

(Sidewall Supply Fan WSP Drawing Dimensions)



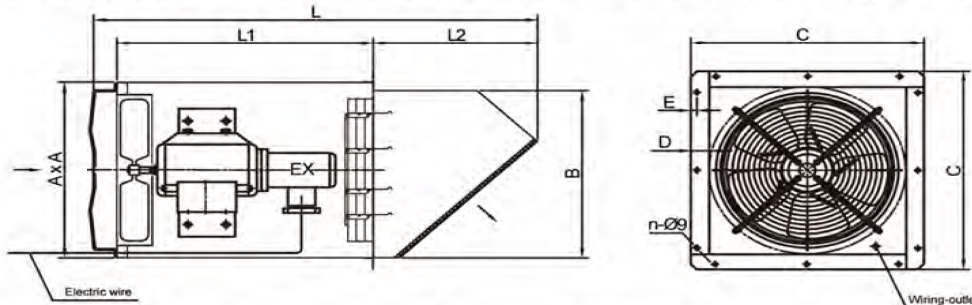
Model	A(mm)	L1(mm)	L2(mm)	L(mm)	B(mm)	C(mm)	D(mm)	E(mm)	n	Fan Weight
WSP-250D4/E4-0.05	320	200	325	570	290	400	40	13	8	17
WSP-300D4/E4-0.09	370	200	365	625	340	450	40	13	12	21
WSP-350D4/E4-0.15	420	240	395	715	390	500	40	13	12	26
WSP-400D4/E4-0.19	470	240	415	745	440	550	40	13	12	30
WSP-450D4/E4-0.24	520	260	465	815	490	600	40	13	12	35
WSP-500D4/E4-0.46	570	260	490	840	540	650	40	13	12	41
WSP-550D4/E4-0.55	620	260	515	875	590	700	40	13	12	45
WSP-600D4-0.83	765	260	615	1010	745	865	50	15	20	93
WSP-650D4-2.2	810	655	615	1345	785	910	50	15	20	145
WSP-700D6-0.75	855	590	625	1290	830	955	50	15	20	138
WSP-750D6-1.1	920	605	625	1305	900	1020	50	15	24	150
WSP-800D6-2.2	975	715	645	1455	955	1075	50	15	24	188
WSP-900D6-3	1075	725	645	1465	1055	1175	50	15	24	238

The above fan weight is the whole fan weight including motor and gravity back-draft damper. The weight will be less a little if without the damper.

Fan Dimensions

Direct-Drive

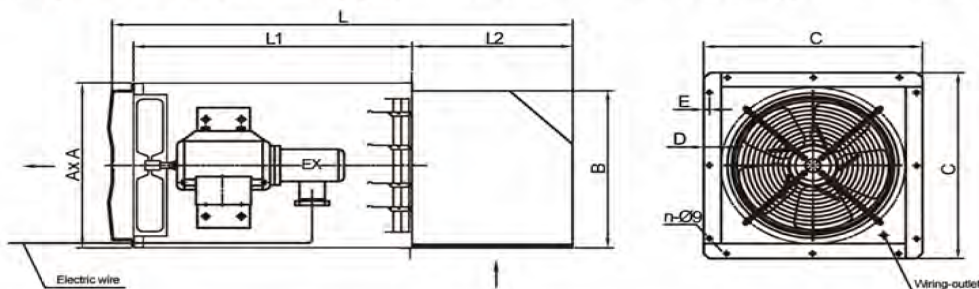
(Sidewall Explosion Proof Exhaust Fan WEX-EX Drawing Dimensions)



Model	A(mm)	L1(mm)	L2(mm)	L(mm)	B(mm)	C(mm)	D(mm)	E(mm)	n	Fan Weight
WEX-250EX4-0.12	320	465	295	820	290	400	40	13	8	32
WEX-300EX4-0.12	370	465	325	855	340	450	40	13	12	35
WEX-350EX4-0.12	420	465	365	890	390	500	40	13	12	38
WEX-400EX4-0.25	470	505	395	965	440	550	40	13	12	43
WEX-450EX4-0.37	520	505	435	1000	490	600	40	13	12	50
WEX-500EX4-0.55	570	520	470	1050	540	650	40	13	12	65
WEX-550EX4-0.75	620	520	495	1100	590	700	40	13	12	70
WEX-600EX4-1.1	770	490	595	1165	735	865	50	15	20	112
WEX-650EX4-2.2	810	595	620	1295	780	910	50	15	20	140
WEX-700EX6-0.75	855	510	640	1230	825	955	50	15	20	133
WEX-750EX6-1.1	920	550	675	1305	890	1020	50	15	24	145
WEX-800EX6-2.2	975	645	710	1455	945	1075	50	15	24	185
WEX-900EX6-3	1075	630	760	1490	1045	1175	50	15	24	230

The above fan weight is the whole fan weight including motor and gravity back-draft damper. The weight will be less a little if without the damper.

(Sidewall Explosion Proof Supply Fan WSP-EX Drawing Dimensions)



Model	A(mm)	L1(mm)	L2(mm)	L(mm)	B(mm)	C(mm)	D(mm)	E(mm)	n	Fan Weight
WSP-250EX4-0.12	320	510	325	895	290	400	40	13	8	35
WSP-300EX4-0.12	370	540	365	965	340	450	40	13	12	40
WSP-350EX4-0.12	420	570	395	1025	390	500	40	13	12	45
WSP-400EX4-0.25	470	595	415	1070	440	550	40	13	12	51
WSP-450EX4-0.37	520	595	465	1120	490	600	40	13	12	62
WSP-500EX4-0.55	570	610	490	1165	540	650	40	13	12	78
WSP-550EX4-0.75	620	610	515	1205	590	700	40	13	12	83
WSP-600EX4-1.1	770	575	615	1270	745	865	50	15	20	135
WSP-650EX4-2.2	810	655	615	1345	785	910	50	15	20	155
WSP-700EX6-0.75	855	590	625	1290	830	955	50	15	20	158
WSP-750EX6-1.1	920	605	625	1305	900	1020	50	15	24	160
WSP-800EX6-2.2	975	715	645	1455	955	1075	50	15	24	200
WSP-900EX6-3	1075	725	645	1465	1055	1175	50	15	24	250

The above fan weight is the whole fan weight including motor and gravity back-draft damper. The weight will be less a little if without the damper.