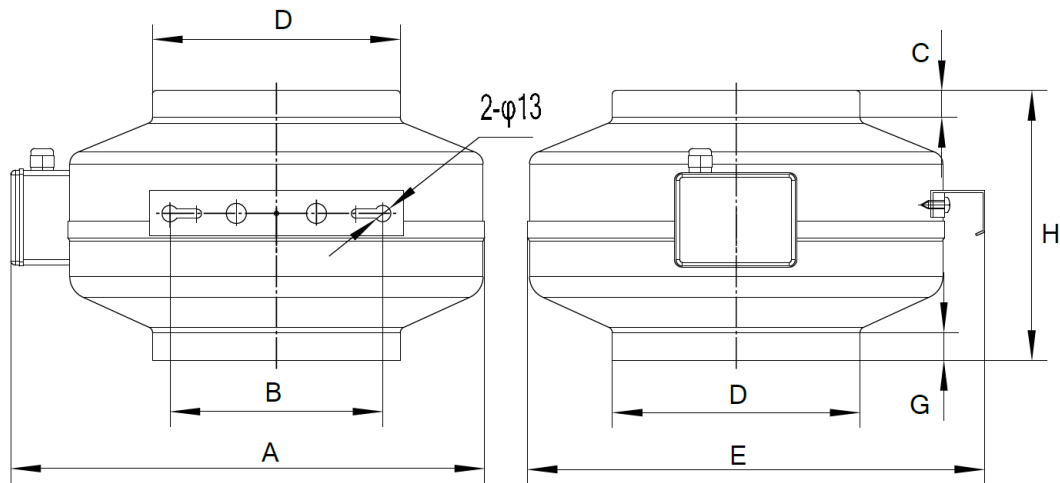


## Fan Dimensions



Fan Size	A	B	C	D	E	G	H	Weight (Kg)
OCD-100	286	170	22	98.2	275	22	196	3.0
OCD-125	286	170	25	125	275	25	196	3.5
OCD-150	377	170	25	147	365	25	217	4.0
OCD-160	377	170	25	160	365	25	217	5.0
OCD-200	377	170	25	198	365	25	217	5.3
OCD-250	377	170	25	247	365	25	217	5.6
OCD-300	444.5	170	40	296	434	40	287	6.8
OCD-315	444.5	170	32	315	434	32	255	7.0

### Notes

- ❖ All dimensions in mm.
- ❖ All dimensional data are for reference only, subject to the final drawing.
- ❖ Final Unit details with design and specification are subject to final approved documents by customer, Catalogue isn't a reference.